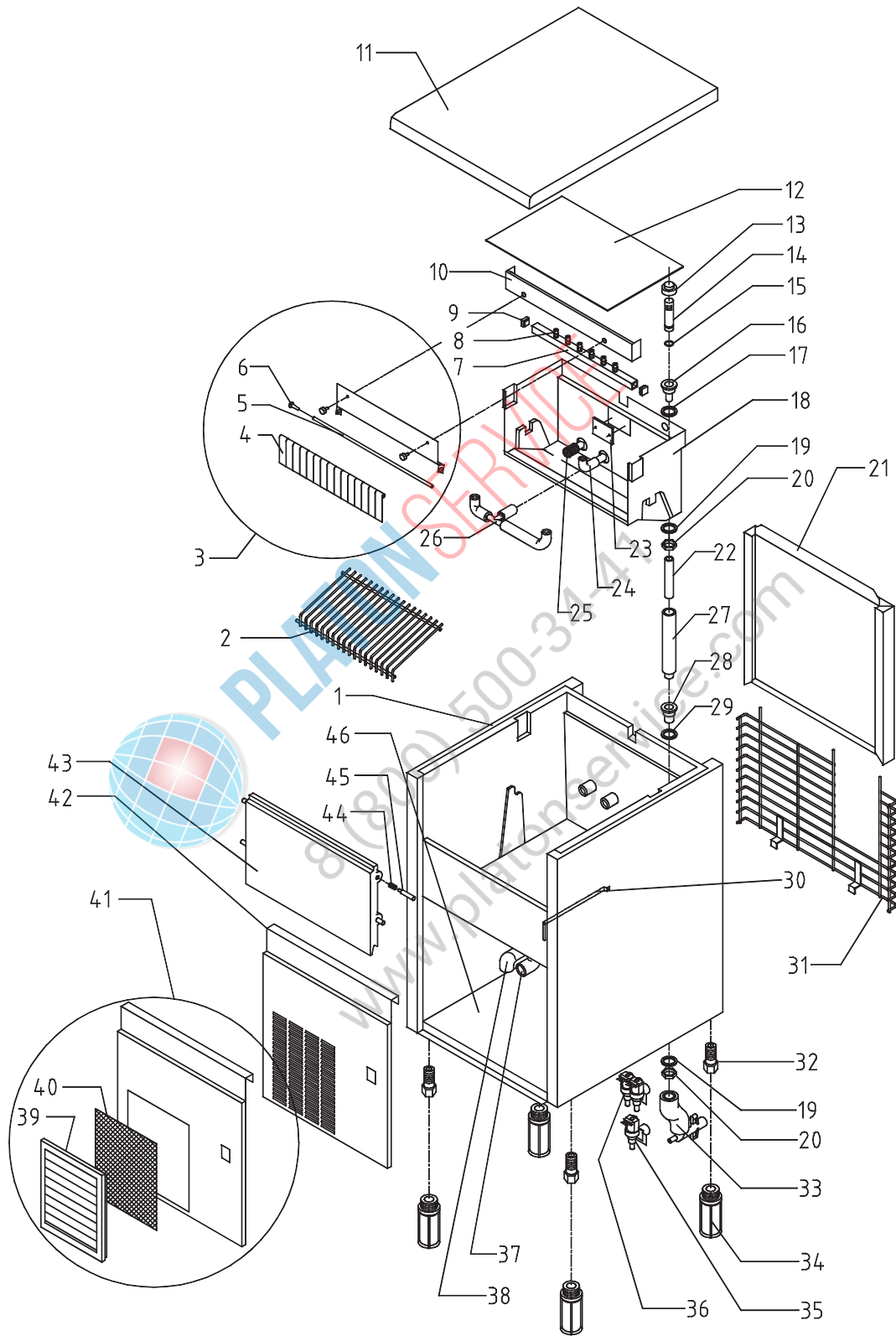


Shell assembly + Hydraulic circuit Mod. CB246-249-316-416-425-640-840-955-1265-1565 A/W



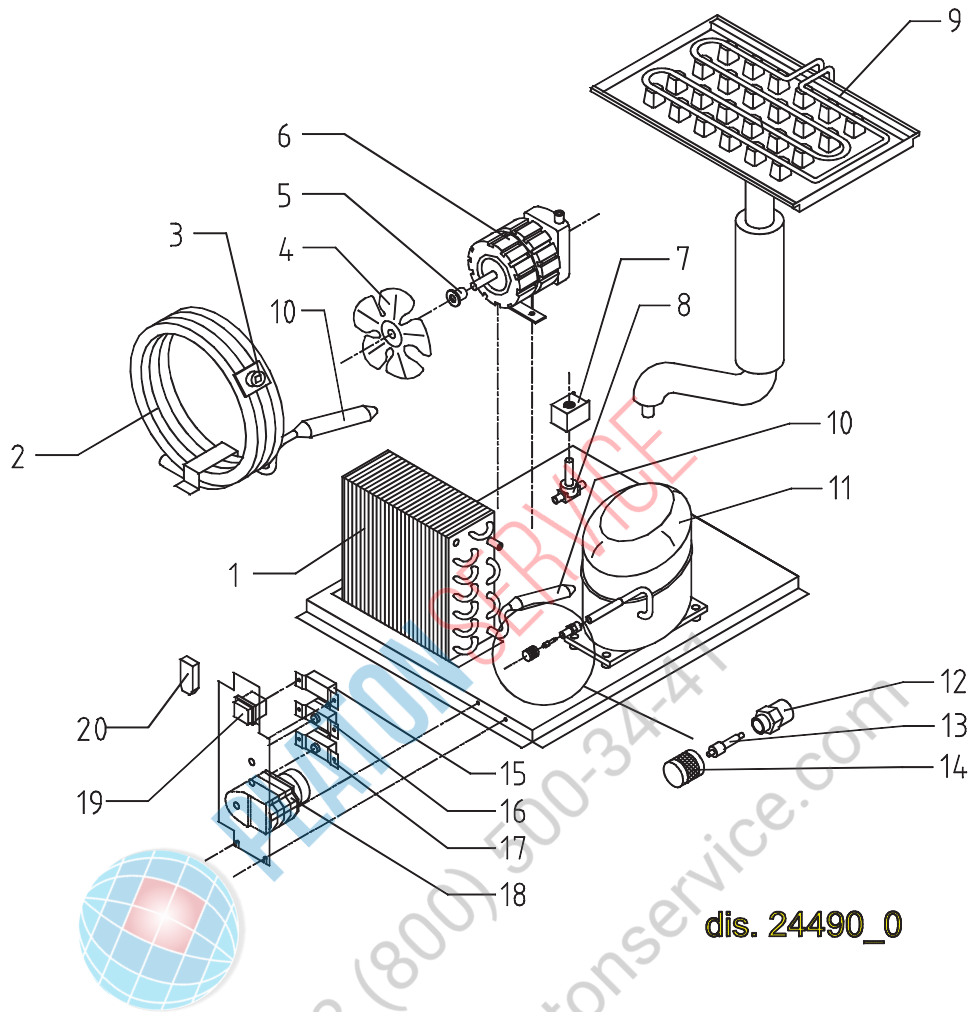
dis. 24489_1

Shell assembly + Hydraulic circuit Mod. CB246 A/W – (TAB. 4)

Ref.	Description	Refrigerant	A/W	Tension	Code
1	Foamed cabinet assy				C11002
2	Ice cubes slide				D12001
3	Flags support assy				C22034
4	Flag				10005
5	Flags rod				12003
6	Flags rod clip				10010
7	Sprayers bar assembly				C20028
8	Sprayer				D20002
9	Sprayers bar plug				10012
10	Evaporator holder				22005
11	Top assembly				C22693
12	Evaporator cover				10008
13	Overflow cap				10305
14	Overflow tube				10133
15	Or gasket for overflow pipe				20233
18	Inner basin				10252
19	Semirigid polyethylene gasket				13007
20	Bin discharge nut				10096
21	Back panel assembly				C22146
22	Overflow pipe				13105
23	Slide keep plate				10009
24	Sprayers feeding pipe				13005
25	Pump suction filter				20005
28	Plastic nipple water outlet				10007
29	Silicone gasket				13006
30	Bulbe thermostat tube				20520
31	Rear grid				D12002
32	Foot				10017
33	Discharges manifold		A		C10006
33	Discharges manifold		W		C26452
35	Inlet water valve 1 way		A	1-2	23497
35	Inlet water valve 1 way		A	3	23499
36	Inlet water valve 2 ways		W	1-2	23542
36	Inlet water valve 2 ways		W	3	23592
37	Pump suction pipe				13003
38	Pump delivery pipe				13002
39	Grid+frame				C10205
40	Filtering panel				18106
41	Front grid panel				C22502
43	Door				10303
44	Door pin spring				20499
45	Door pin				10269
46	Base plate				21001

- Note:**
- 13. Code 10305 from number 65043.
 - 14. Code 13001 until number 65042. Code 10133 from number 65043.
 - 15. Code 20233 from number 65043.
 - 22. Code 13001 until number 65042. Code 13105 from number 65043.
 - 30. Code 20008 until number 94517. Code 20520 from number 94518.
 - 41. Code 22004 until number 28877. Code C22502 from number 28878.

Cooling system assembly Mod. CB246-249-316-416-425 A/W



dis. 24490_0

Cooling system assembly Mod. CB246 A/W – (TAB. 13)

Ref.	Description	Refrigerant	A/W	Tension	Code
1	Air condenser		A		20534
2	Water condenser		W		14057
3	Safety thermostat		W		C23114
4	Suction impeller				10213
5	Hub+washer+screw				10014
6	Pump			1-2	23002
6	Pump			3	23264
7	Hot gas coil			1-2	23091
7	Hot gas coil			3	23256
8	Hot gas valve body				20410
9	Evaporator				D10045
10	Molecular drier				14009
11	Compressor	R404A		1	23436
11	Compressor	R404A		2	23494
11	Compressor	R404A		3	23446
11	Compressor	R22		1	23197
11	Compressor	R22		2	23346
11	Compressor	R22		3	23368
12	Vacuum- charge valve body				14007
13	Vacuum-charge valve device				14005
14	Vacuum-charge valve plug				14006
15	Condenser pressure switch		W		23175
16	Bin thermostat				23005
17	Evaporator thermostat				23591
18	Timer			1	23222
18	Timer			2	23248
18	Timer			3	23259
19	Green light switch				23327
20	Anti radio interference filter		W	1	23457

Note: 1. Code 20069 (A) until number 104676. Code 20534 (A) from number 104677.
 2. Code 14002 (W) until number 28525. Code 14057 (W) from number 28526.
 18.Code 23222 from September 1992. Before Code 23003.